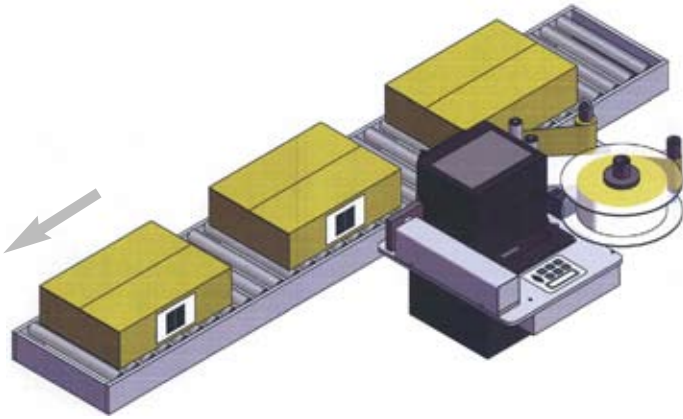
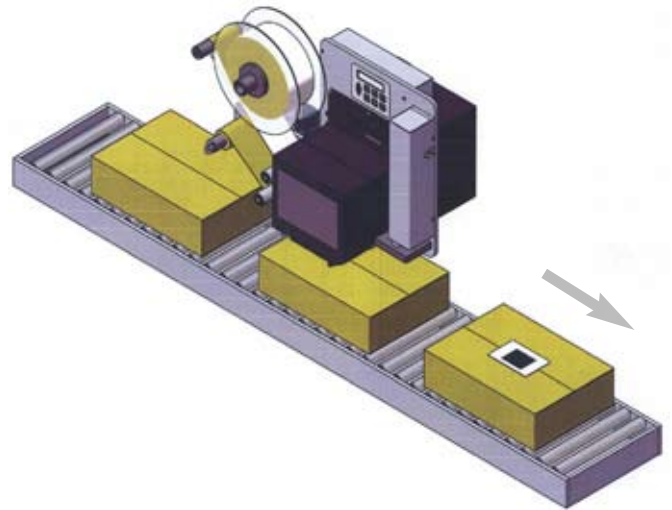


Print Apply solutions



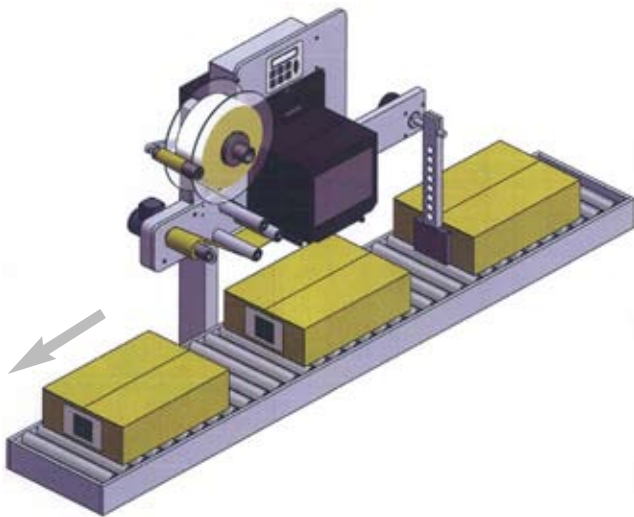
Side position.

Applying of the label on the side of the product. The label can be applied during movement of the product, or while it is stopped.



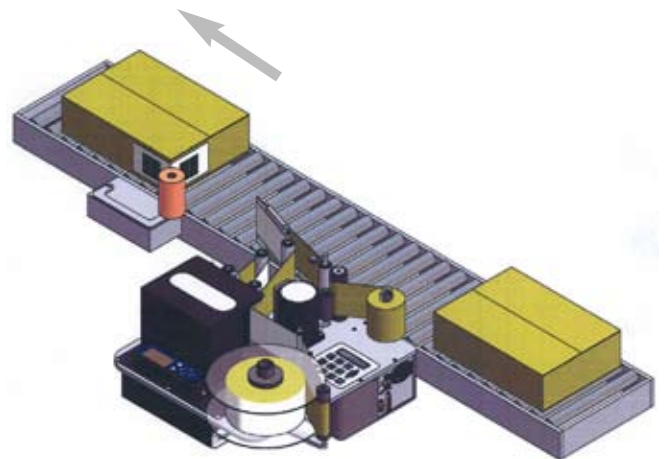
Top position.

Applying of the label on the top surface. The label can be applied during movement of the product, or while it is stopped.



Front position.

Applying of the label on the leading front of the product.



Around corner.

Applying of a label on the side and on the rear end of the product.